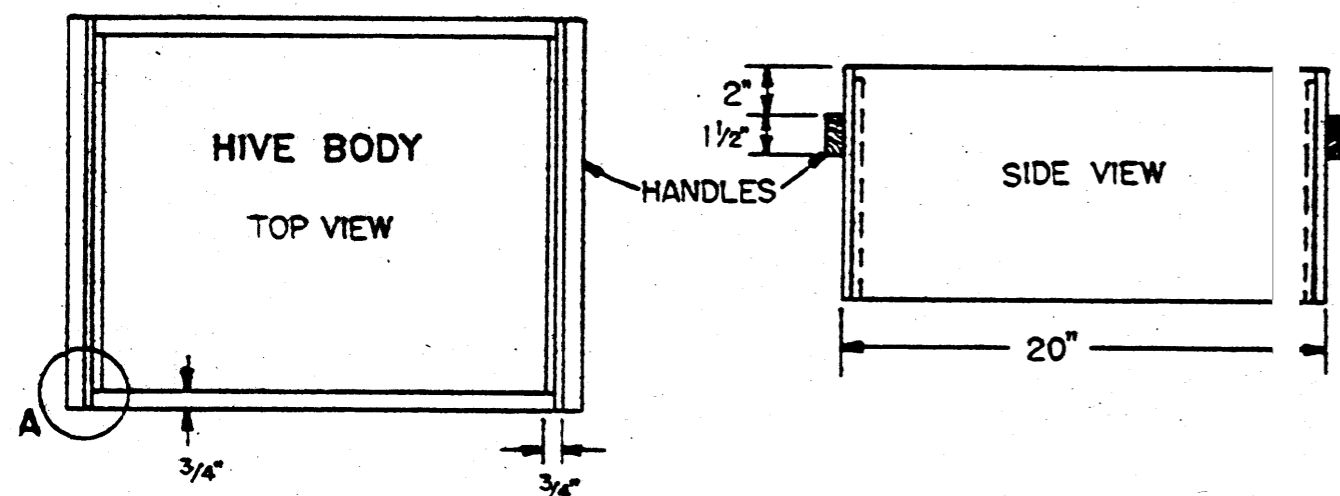
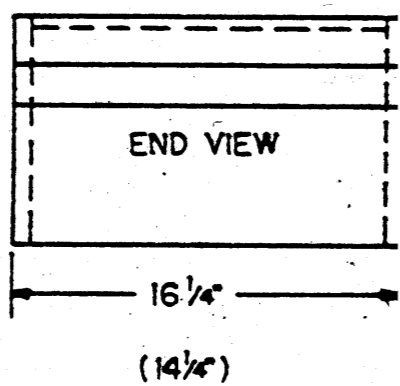


CUTTING PLAN FOR PLYWOOD PARTS SHOWING ACTUAL DIMENSIONS ALLOW FOR SAW KERFS ON SAWN EDGES. (ONE HIVE BODY FROM 4' X 4' PLYWOOD, FULL SUPER.)



**DEPTHS FOR HIVES**

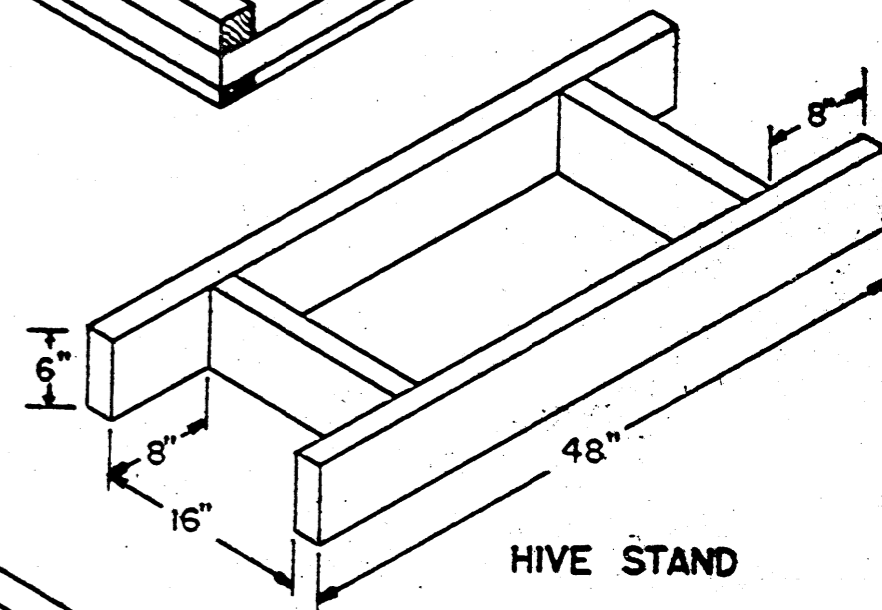
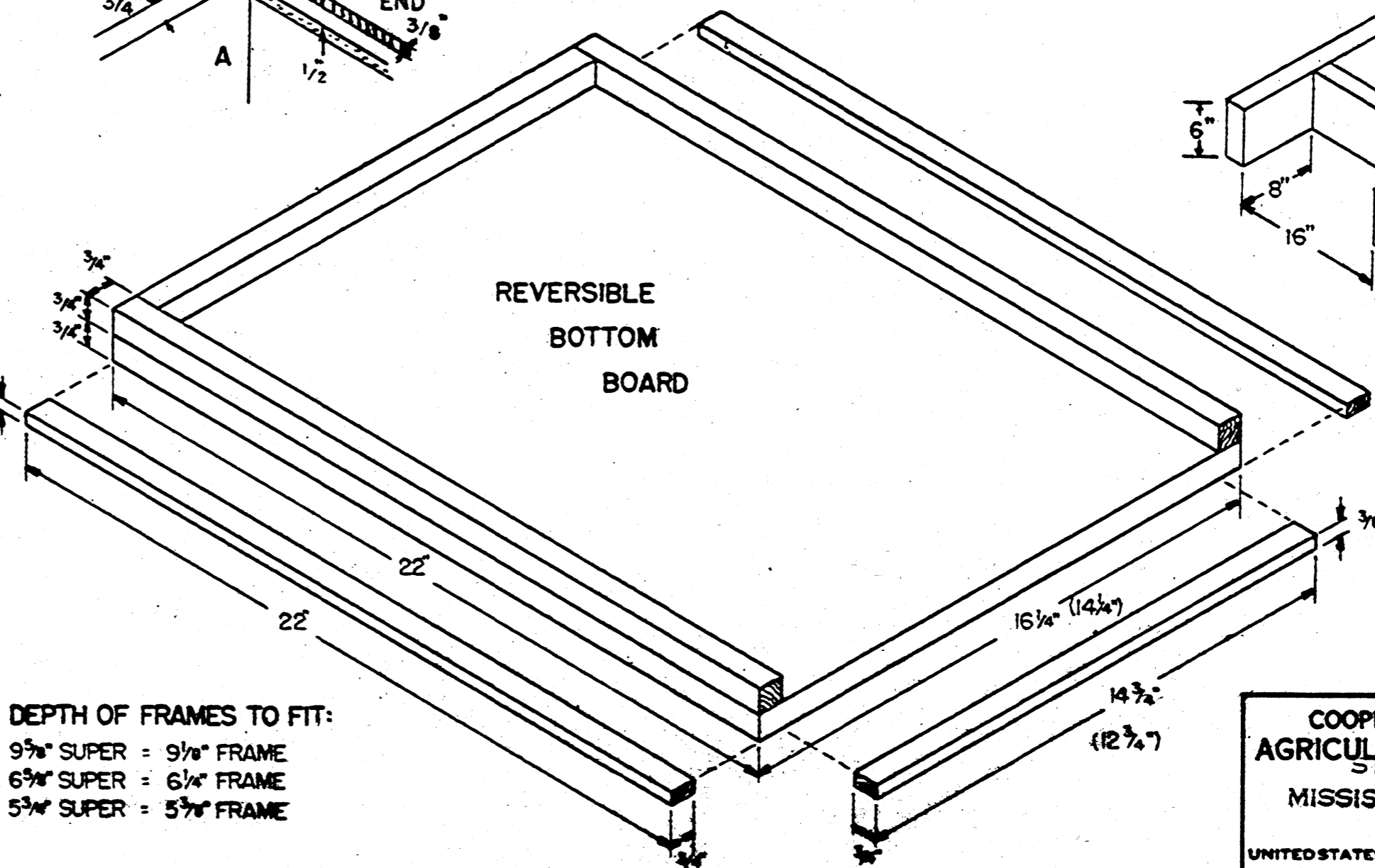
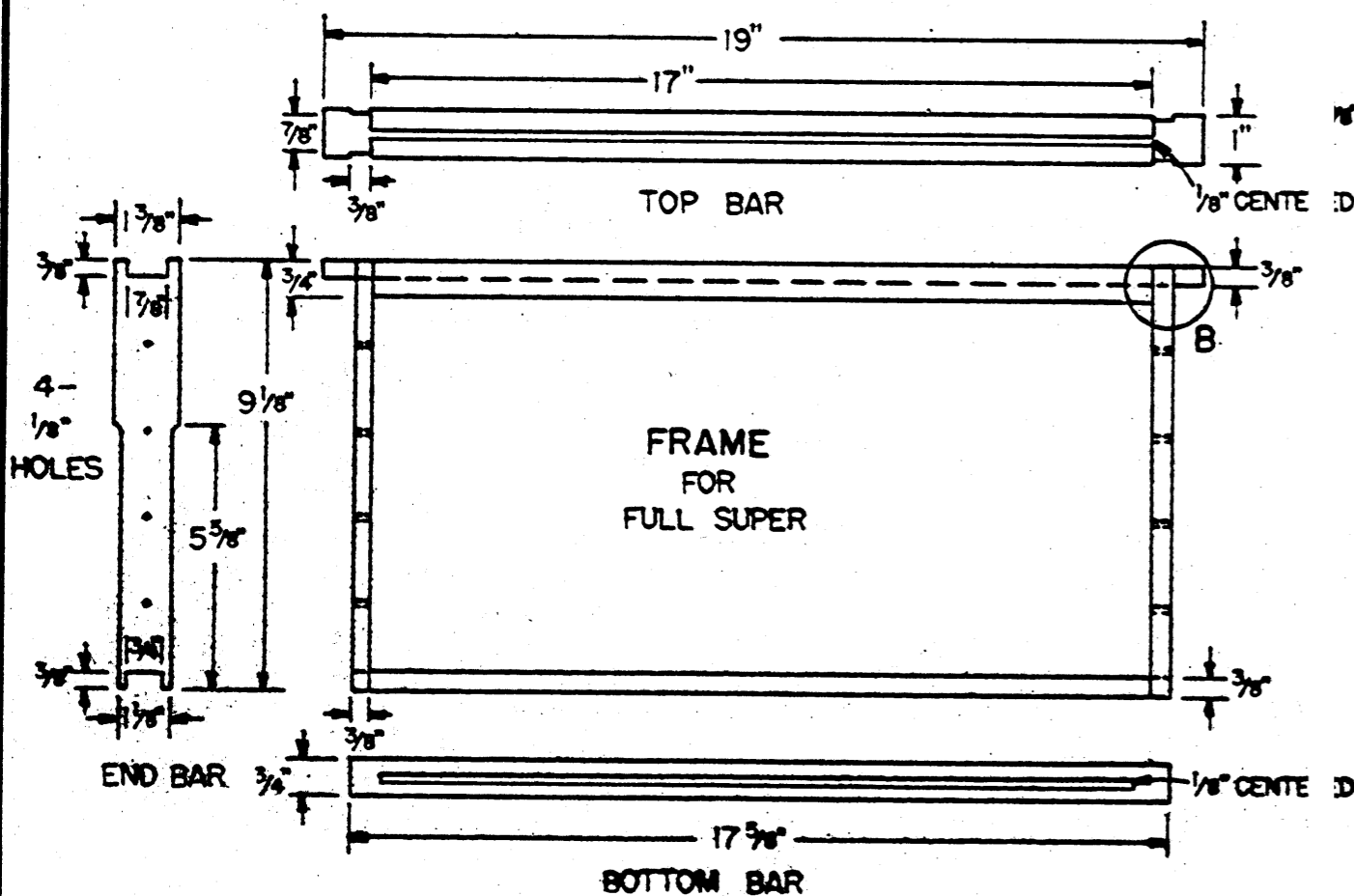
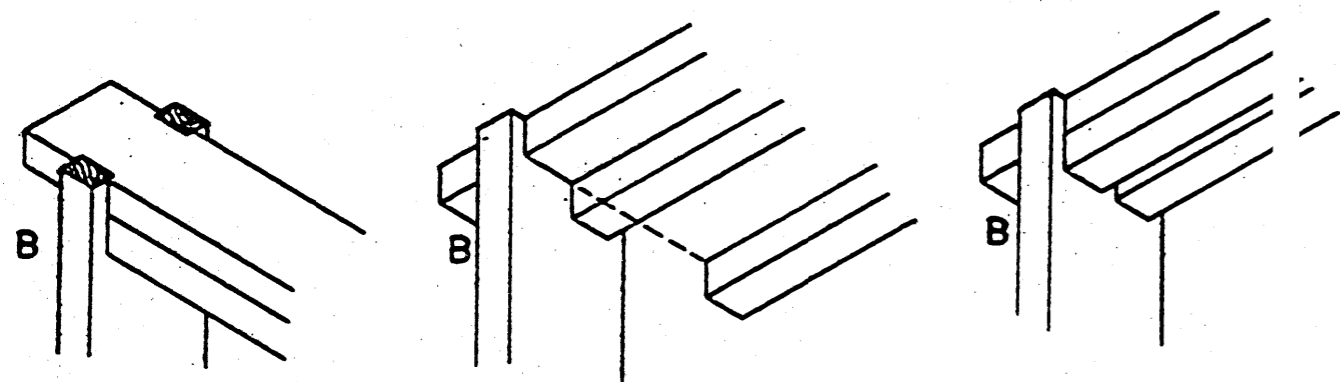
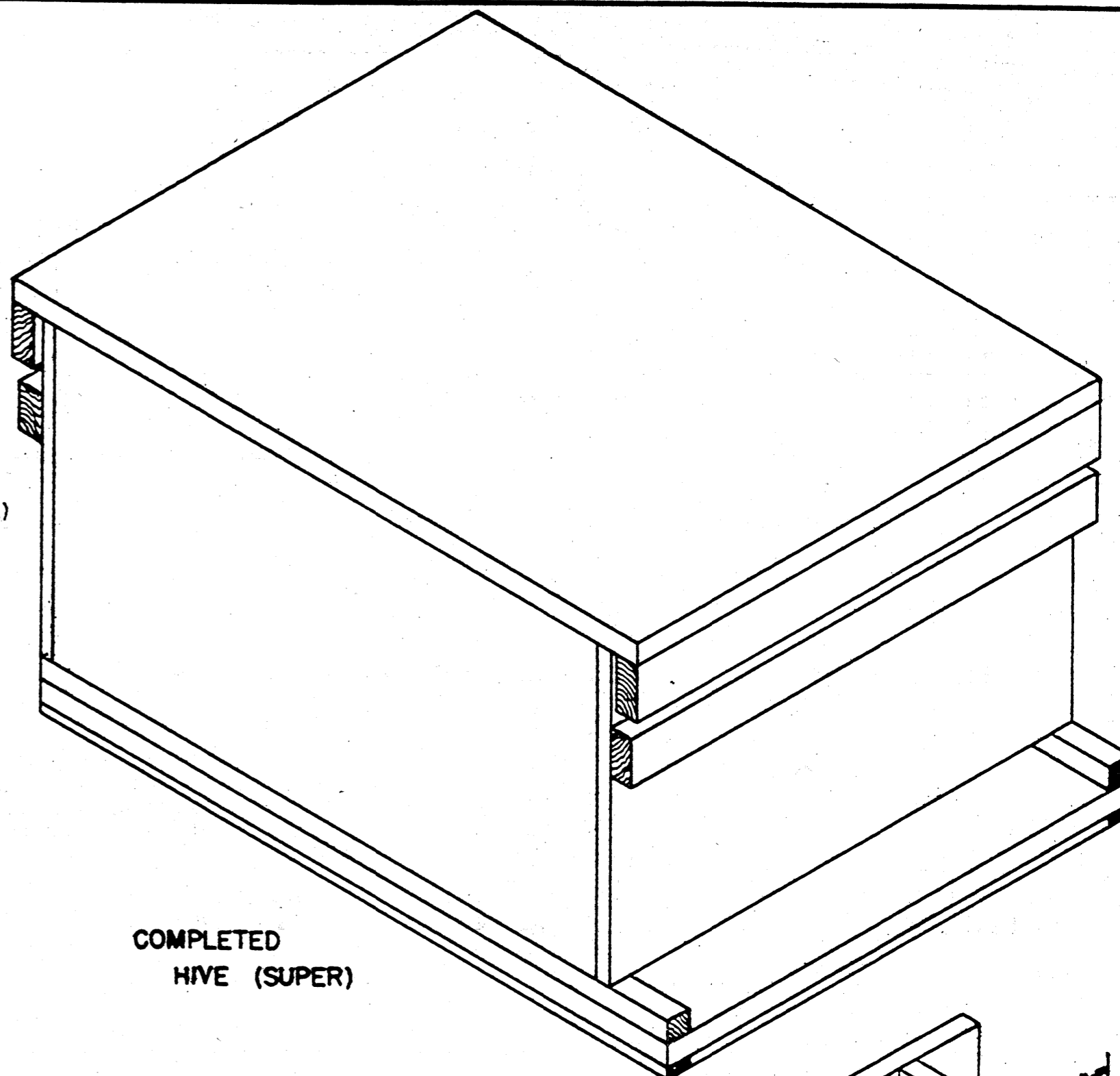
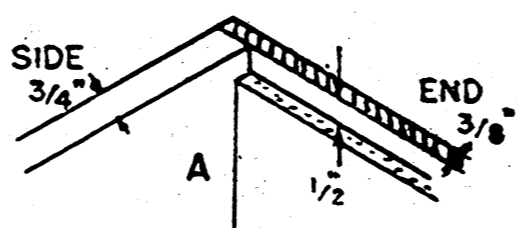
FULL SUPER = 9 7/8"  
THREE-QUARTER SUPER = 6 3/8"  
SHALLOW SUPER = 5 3/4"



ALTERNATE DIMENSIONS FOR AN 8-FRAME UNIT ARE IN BRACKETS.

**MATERIALS LIST**

- 10'-10"-2" X 6" PINE OR FIR
- 4' X 4' X 3/4" A-A EXTERIOR PLYWOOD
- 1 3/4" X 3/4" X 33" PINE OR FIR
- 1" X 3/4" X 20" PINE OR FIR
- 3/4" X 3/4" X 60" PINE OR FIR
- 1 3/8" X 3/8" X 19" PINE OR FIR
- 3/4" X 3/8" X 80" PINE OR FIR
- 1 LB. 6d BOX NAILS



DEPTH OF FRAMES TO FIT:  
9 7/8" SUPER = 9 1/8" FRAME  
6 3/8" SUPER = 6 1/4" FRAME  
5 3/4" SUPER = 5 7/8" FRAME

NO SCALE

COOPERATIVE EXTENSION WORK IN  
AGRICULTURE AND HOME ECONOMICS  
STATE OF MISSISSIPPI  
MISSISSIPPI STATE UNIVERSITY  
AND  
UNITED STATES DEPARTMENT OF AGRICULTURE COOPERATING

**BEEHIVE AND FRAME**

OR. '75 6231 SHEET | OF |

BASED ON: OREGON STATE UNIV. PLAN NO. BP 116